

---

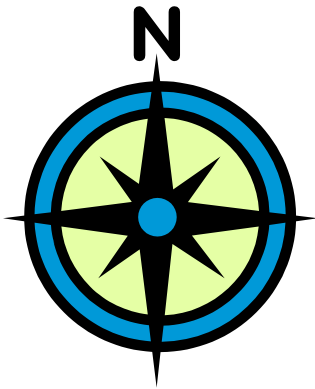
## ***China and Confucius Test***

*(from Chapter 32, 33 of The Story of the World: Ancient Times)*





1. What is Chinese writing called?
2. How did calligraphers make their brushes?
3. How did the Chinese begin printing?
4. Describe the period of time called the “Warring States”.
5. Who was Qin Zeng?
6. Why did Qin Zeng Build the Great Wall of China?
7. What did two men find when they were digging?
8. What did Confucius teach his people?
9. What were the “Analects of Confucius”?



# Geography Ideas



**Key:**

	River
	Mountain
	Lake
	Fertile land

**Phoenician Product Map**

	Ivory
	Glass
	Salt
	Gold
	Copper
	Silver
	Olive Oil
	Lead
	Wood

## **Books of the New Testament**

Matthew  
Mark  
Luke  
John  
Acts  
Romans  
I Corinthians  
II Corinthians  
Galatians  
Epehsians  
Philippians  
Colossians  
I Thessalonians  
II Thessalonians  
I Timothy  
II Timothy  
Titus  
Philemon  
Hebrews  
James  
I Peter  
II Peter  
I John  
II John  
III John  
Jude  
Revelation

Here is the music to sing the Books of the NT to:

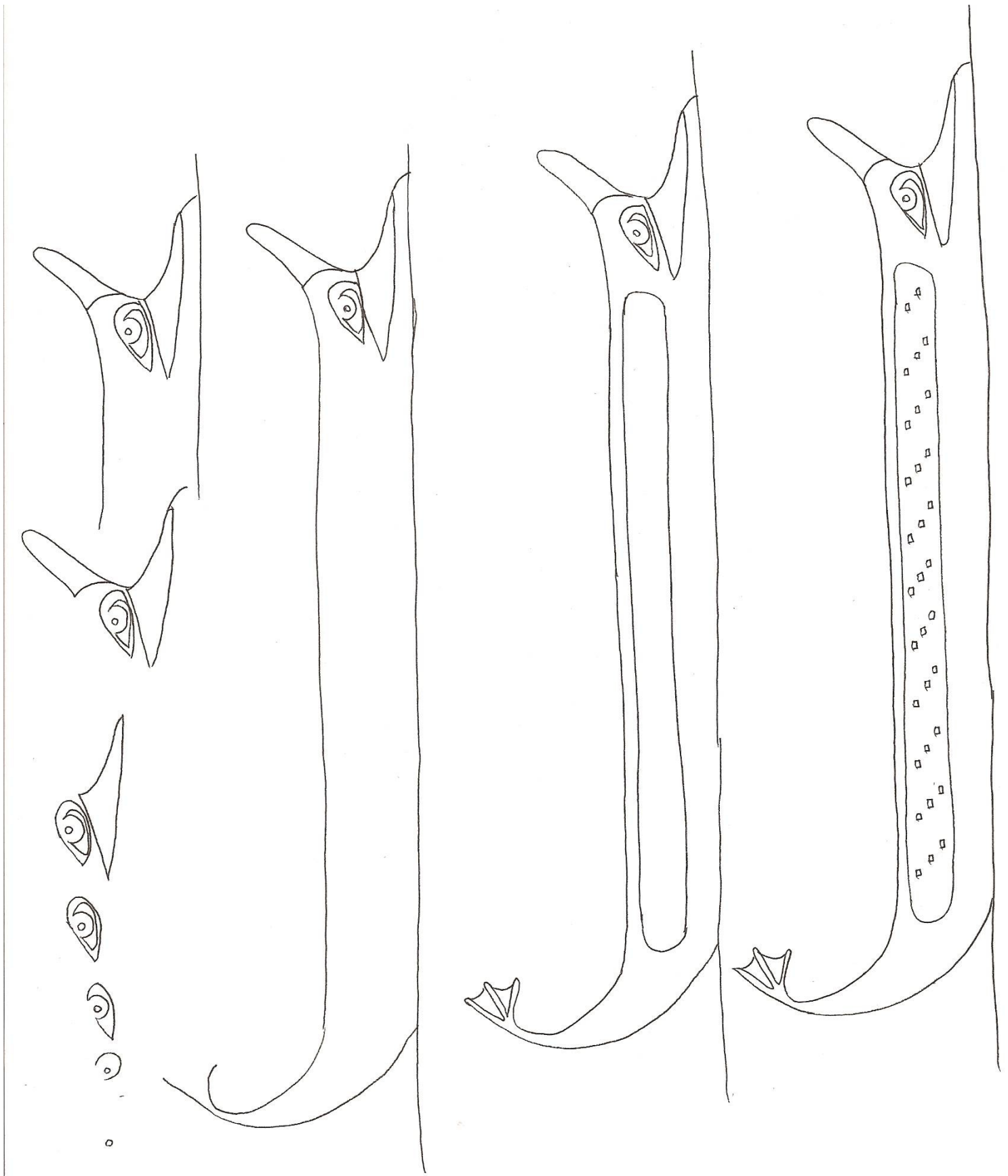
[www.wholesomewords.org/family/kjvbkssong.html](http://www.wholesomewords.org/family/kjvbkssong.html)

If you just want to listen to the song here is a site that will sing it for you. Click on number 13 under 1<sup>st</sup> grade: <http://64.185.28.227/memory-work.htm>

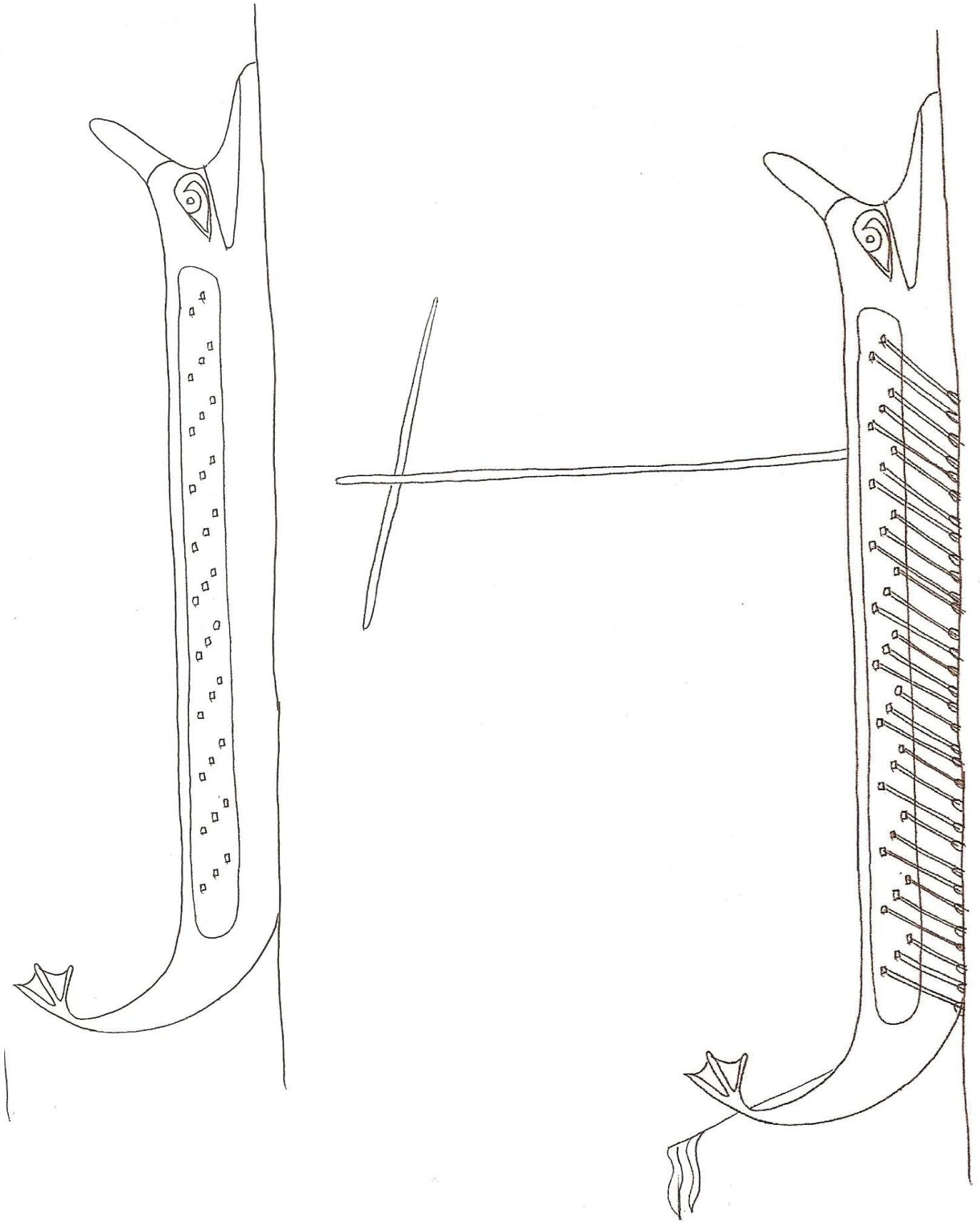


# Trireme Drawing

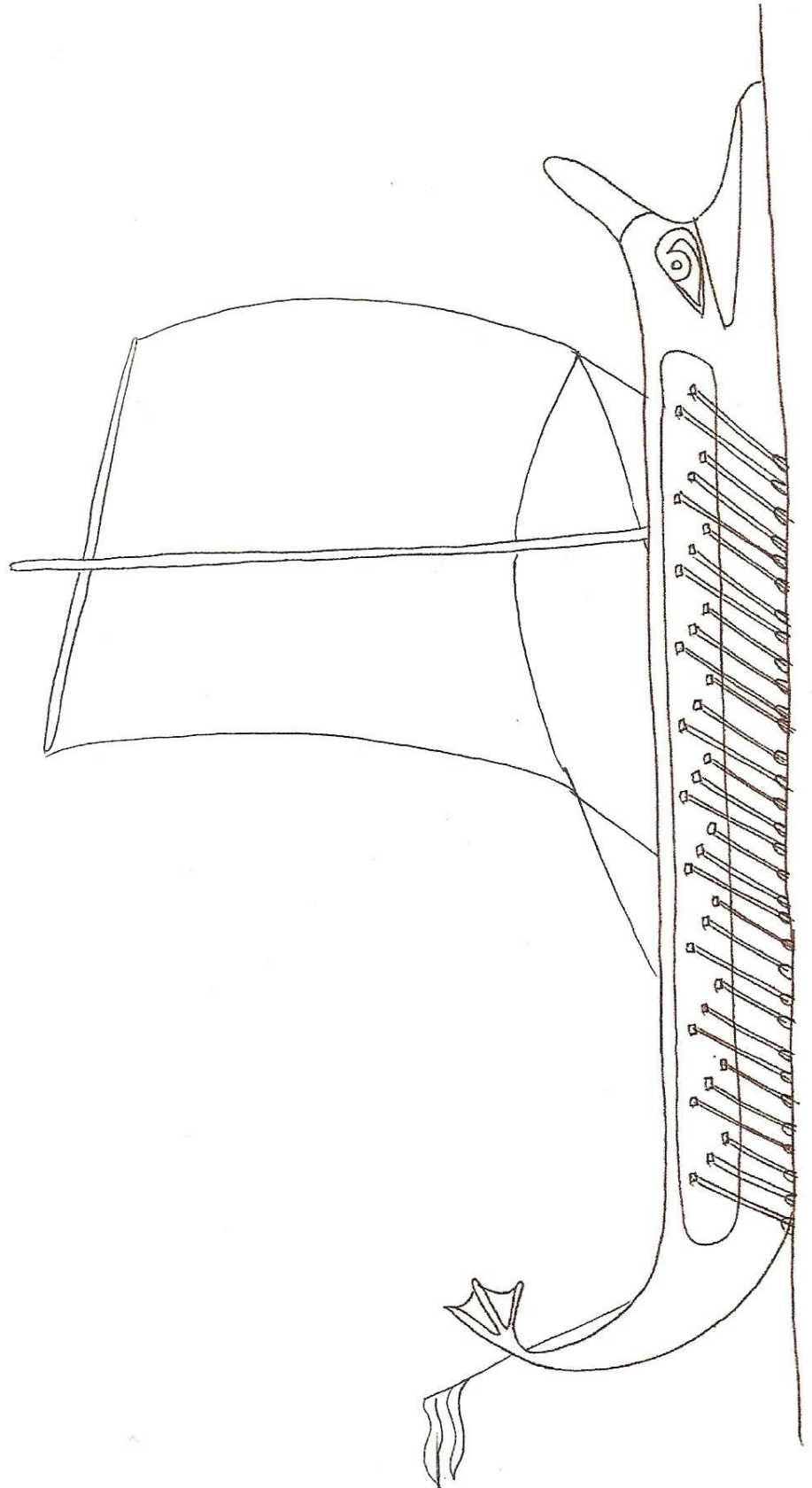
This boat is complicated, but it is doable. Have your child only draw the detail appropriate for their age level. For young children only have them color the finished boat.



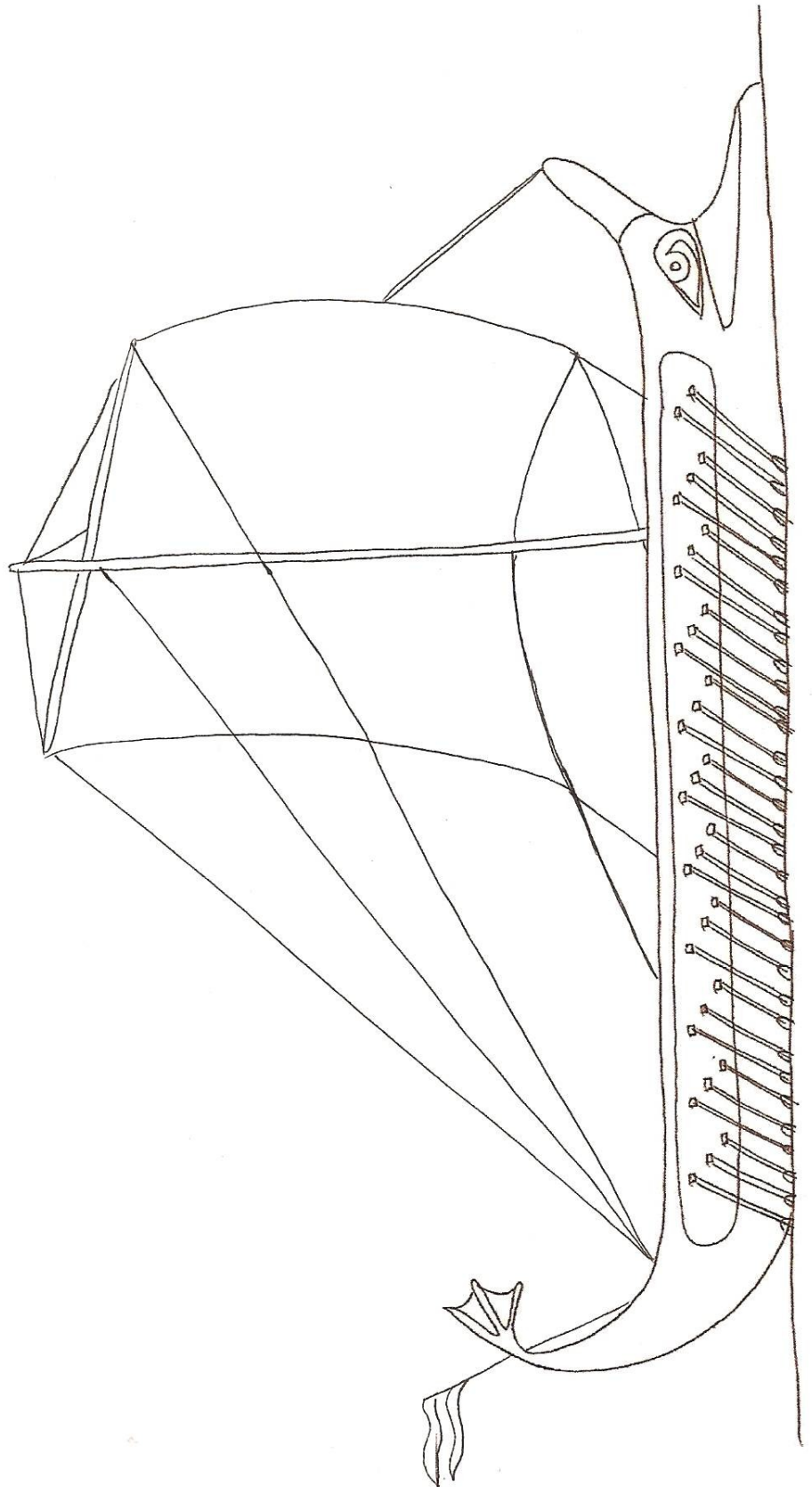
# Trireme Drawing Continued



# Trireme Drawing Continued



## Trireme Drawing Continued



## ***Trireme Drawing Continued***

